

BF Long Hand Pallet Truck

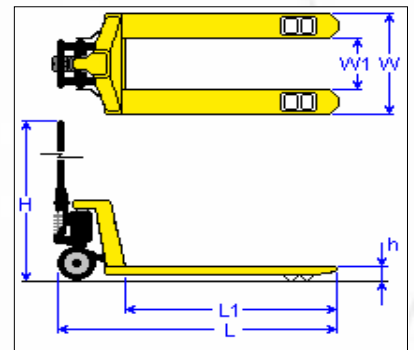
BF2000L

BF2000 (Long)
Model BF2000,
Capacity 2000Kg, also
available as Quick Lift
Option

- Available in widths 540 & 685 mm.
- A range of 2 widths, as well as lengths 1500, 1800, 2000, 2500 + 3000 mm means that there should always be a truck to suit your needs.
- The extremely reliable pump unit is fitted with a pressure relief valve to prevent overloading.
- The robust chassis is reinforced at the 'A' frame and the legs are strengthened along their length. To reduce maintenance needs, all pivot points are bushed.
- With safety in mind, all machines can be fitted with a choice of 2 different braking systems.
- Trucks carry CE mark and comply with all current safety legislation.



Model		BF2000 / 1500 / 540	BF2000 / 1800 / 540	BF2000 / 2000 / 540	BF2000 / 2500 / 540	BF2000 / 3000 / 540	BF2000 / 1500 / 685	BF2000 / 1800 / 685	BF2000 / 2000 / 685	BF2000 / 2500 / 685	BF2000 / 3000 / 685	
Capacity	Kg	2000										
Fork Length (L1)	mm	1500	1800	2000	2500	3000	1500	1800	2000	2500	3000	
Fork Spread (W)	mm	540	540	540	540	540	685	685	685	685	685	
Fork Spacing (W1)	mm	220	220	220	220	220	365	365	365	365	365	
Overall Length (L)	mm	1900	2200	2400	2900	3400	1900	2200	2400	2900	3400	
Fork Height (h - min)	mm	85										
Fork Height (h - max)	mm	200										
Load Rollers Tandem	mm	Ø 85 Nylon										
Steer Wheels	mm	Ø 200 Nylon (Parking brake trucks only in Rubber on aluminium)										



Tandem load rollers are fitted as standard however all trucks can be supplied with single rollers on request.

Options



Alternative Steer Wheels



Alternative Load Rollers



Parking Brake Handle



Foot Operated Parking Brake



H.E.S.
HANDLING EQUIPMENT SALES LTD.

Tel: 01525 717174
Fax: 01525 717140

info@hesales.co.uk
www.hesales.co.uk

