

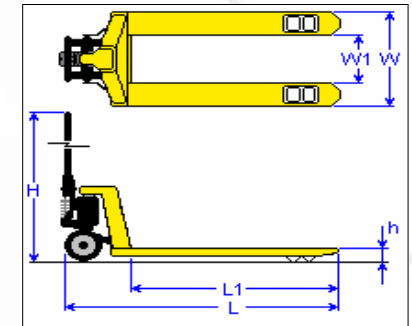
BF3000 Heavy Duty Hand Pallet Truck

BF3000

- Model BF3000 , Capacity 3000kg
- Available in widths 540 & 685 mm.
- The extremely reliable pump unit is fitted with a pressure relief valve to prevent overloading.
- Very strong robust chassis.
- Comfortable rubber gripped handle.
- The robust chassis is reinforced at the 'A' frame and the legs are strengthened along their length. To reduce maintenance needs, all pivot points are bushed.
- This model can be fitted with a foot operated parking brake.
- Trucks carry CE mark and comply with all current safety legislation.



| Model | | BF30 1150 / 540 | BF30 1150 / 685 |
|-----------------------|----|-----------------|-----------------|
| Capacity | Kg | 3000 | |
| Fork Length (L1) | mm | 1150 | 1150 |
| Fork Spread (W) | mm | 540 | 685 |
| Fork Spacing (W1) | mm | 220 | 365 |
| Overall Length (L) | mm | 1550 | 1550 |
| Fork Height (h – min) | mm | 85 | |
| Fork Height (h – max) | mm | 200 | |
| Load Rollers Tandem | mm | Ø 85 Nylon | |
| Steer Wheels | mm | Ø 200 Nylon | |



Foot Operated Parking Brake

Options

- ▶ *The BF3000 is available with different fork lengths including 600, 800, 1000 + 1500mm*
- ▶ *Tandem load rollers are fitted as standard. All trucks can be supplied with single rollers on request*
- ▶ *For lower lift capacities see BF2000 or BF2500. For higher lift capacities for use in more heavy duty applications see BF5000.*



H.E.S

HANDLING EQUIPMENT SALES LTD.



Tel: 01525 717174



Fax: 01525 717140

info@hesales.co.uk



www.hesales.co.uk

