

BF5000 Heavy Duty Hand Pallet Truck

- Model BF5000 capacity 5000Kg.
- Other sizes are available to order.
- The extremely reliable pump unit is fitted with a pressure relief valve to prevent overloading.
- Very strong robust chassis.
- 3 Position trigger and comfortable handle.
- The robust chassis is reinforced at the 'A' frame and the legs are strengthened along their length. To reduce maintenance needs, all pivot points are bushed.
- Comprehensive warranty and superb after sales service provided.
- Powder coated finish.

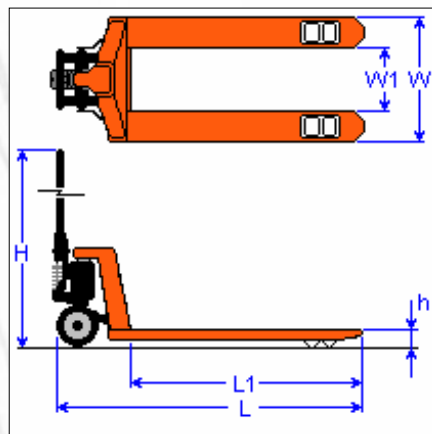


BF5000

Model		BF5000
Capacity	Kg	5000
Fork Length (L1)	mm	1150
Fork Spread (W)	mm	580
Fork Spacing (w1)	mm	160
Overall Length (L)	mm	1546
Fork Height (h – min)	mm	90
Fork Height (h – max)	mm	200
Load Rollers	mm	Ø 80x68 Tandem Steel
Steer Wheels	mm	Ø 200x50 Steel
Overall Weight	Kg	192

▶ High quality tandem steel load rollers are fitted as standard.

▶ Superbly reliable pump unit





H.E.S
HANDLING EQUIPMENT SALES LTD.

Tel: 01525 717174
Fax: 01525 717140

info@hesales.co.uk
www.hesales.co.uk

