

RECORD

Materials Handling Equipment

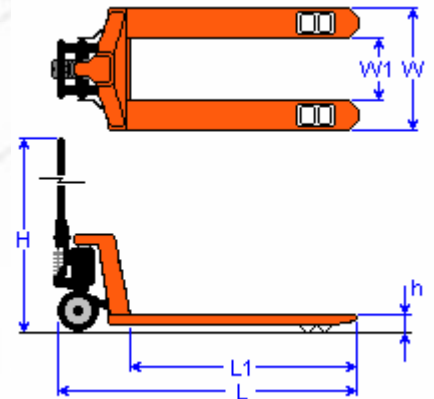
Record Compact Hand Pallet Truck

DF Compact

- Model DF Compact, Capacity 2000kg
- Available in widths 520 & 685 mm.
- Top quality hydraulic pump with a slow lowering hand control valve. 3-position control lever provides fingertip control of all hydraulic system functions with the handle in any position.
- Very strong robust chassis.
- The robust chassis is reinforced at the 'A' frame and the legs are strengthened along their length. To reduce maintenance needs, all pivot points are bushed.
- Trucks carry CE mark and comply with all current safety legislation.
- Choice of steer wheels and load wheels available on request.



The DF model has a compact pump unit



Tandem load rollers are fitted as standard however all trucks can be supplied with single rollers on request

Model		DF20 1000 / 520	DF20 1150 / 520	DF20 1000 / 685	DF20 1150 / 685
Capacity	Kg	2000			
Fork Length (L1)	mm	1000	1150	1000	1150
Fork Spread (W)	mm	520	520	685	685
Fork Spacing (W1)	mm	200	200	365	365
Overall Length (L)	h (mm)	1380	1530	1380	1530
Fork Height (h – min)	mm	85			
Fork Height (h – max)	mm)	200			
Load Rollers	mm	Ø 80 Tandem Nylon, Polyurethane			
Steer Wheels	mm	Ø 200 Nylon, Polyurethane, Rubber			

Options



Alternative Steer Wheels



Alternative Load Rollers



H.E.S.
HANDLING EQUIPMENT SALES LTD.

Tel: 01525 717174
Fax: 01525 717140

info@hesales.co.uk
www.hesales.co.uk