

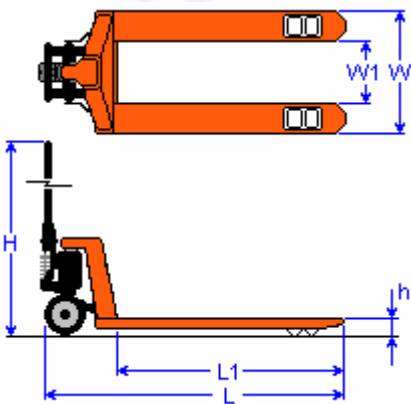
Record Quick-Lift Hand Pallet Truck

- Model BF2000/2500 QL, Capacity 2000/2500Kg
- Available in widths 540 & 685 mm.
- Pallet truck with 'quick-lift', will lift to 200 mm with 6 pump strokes.
- The extremely reliable pump unit is fitted with a pressure relief valve to prevent overloading.
- Very strong robust chassis.
- Comfortable rubber gripped handle.
- The robust chassis is reinforced at the 'A' frame and the legs are strengthened along their length. To reduce maintenance needs, all pivot points are bushed.
- Trucks carry CE mark and comply with all current safety legislation.
- Choice of steer wheels and load wheels.

BF2000/2500 QL



Model		BF20 QL 1000 / 540	BF20 QL 1150 / 540	BF20 QL 1200 / 540	BF20 QL 1000 / 685	BF20 QL 1150/ 685	BF20 QL 1220/ 685	BF25 QL 1000 / 540	BF25 QL 1150 / 540	BF25 QL 1220 / 540	BF25 QL 1000/ 685	BF25 QL 1150/ 685	BF25 QL 1220 / 685
Capacity	Kg	2000						2500					
Fork Length (L1)	mm	1000	1150	1220	1000	1150	1220	1000	1150	1220	1000	1150	1220
Fork Spread (W)	mm	540	540	540	685	685	685	540	540	540	685	685	685
Fork Spacing (W1)	mm	220	220	220	365	365	365	220	220	220	365	365	365
Overall Length (L)	h (mm)	1400	1550	1620	1400	1550	1620	1400	1550	1620	1400	1550	1620
Fork Height (h – min)	mm	85											
Fork Height (h – max)	mm	200											
Load Rollers	mm	Ø 85 Tandem Nylon, Polyurethane											
Steer Wheels	mm	Ø 200 Nylon, Polyurethane, Rubber											



Tandem load rollers are fitted as standard however all trucks can be supplied with single rollers on request

Options



Alternative Steer Wheels



Alternative Load Rollers



H.E.S

HANDLING EQUIPMENT SALES LTD.



Tel: 01525 717174

Fax: 01525 717140

info@hesales.co.uk



www.hesales.co.uk