

# RECORD

Materials Handling Equipment

## Crane Arm

# Crane Arm

- **Model Crane Arm**  
Can be fitted on any LF, LFS, ELF, ELFS, SELF or SELFS stacker with adjustable carriage.
- **Maximum capacity 500kg.**
- **The Crane Arm make it easy to lift and carry heavy objects, such as machine tools, plastic moulds and components.**
- **The Crane Arm has a chain with a hook.**
- **It also uses a quick shift system and can therefore be quickly and easily fitted on all stackers listed above.**
- **The length of the chain is adjustable, and can be easily and quickly adjusted without using any tools.**
- **Strong construction ensures a long operating life and low maintenance costs.**



Features



The chain is adjustable, and can easily and quickly be adjusted



Quick shift makes it easy to replace the crane arm by other optional extras or forks

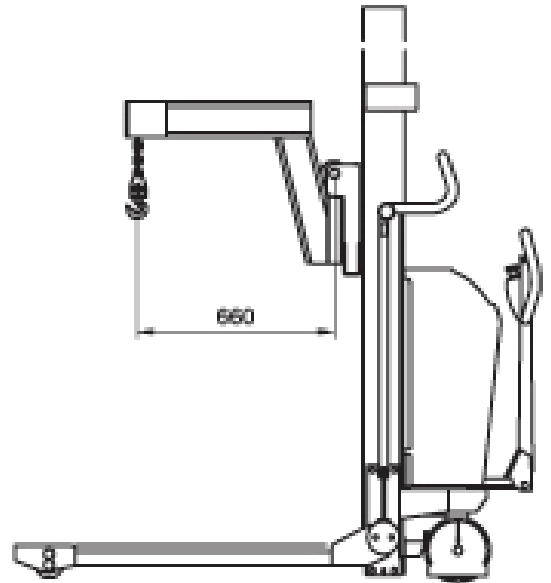
Options



We offer a wide range of optional extras, e.g. spear, platform, reel rotator and drum turner



The lifting lowering function of the electric stackers can be operated by remote control (optional extra)



Tel: 01525 717174  
Fax: 01525 717140

info@hesales.co.uk  
www.hesales.co.uk

