

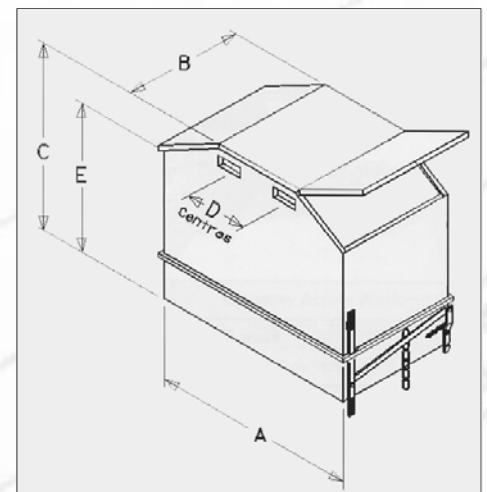
Drop-Bottom Tidy Bins



Our range of drop-bottom tidy bins is made in the UK to the highest possible standards to ensure a long life whilst affording the maximum safety.

- Volumes of 1.0 and 1.5 m³, both with a carrying capacity of 350 Kg.
- Fitted with 2 top opening doors.
- Self-dumping mechanism with easy to operate catch.
- Enclosed fork-entry pockets to keep waste completely clear of forks.
- Safety stop chain fitted.
- Heavy duty castors (2 fixed and 2 swivel) ensure easy manoeuvrability.
- All of these products conform to the machinery regulations 1992 and are appropriately CE marked.

| Model | Capacity m ³ | Capacity Kg | A mm | B mm | C mm | D mm | E mm | Mass Kg | C of G mm | Fork Pockets mm | Loading Apertures mm x mm | Base Size mm x mm |
|----------|----------------------------|----------------|---------|---------|---------|---------|---------|------------|--------------|-----------------------|---------------------------------|-------------------------|
| HESATB10 | 1.0 | 350 | 1650 | 1020 | 1120 | 444 | 860 | 150 | 510 | 180 x 75 | 390 x 850 | 1500 x 906 |
| HESATB15 | 1.5 | 350 | 1650 | 1020 | 1420 | 444 | 1160 | 180 | 510 | 180 x 75 | 390 x 850 | 1500 x 906 |



SAFETY WARNING

Lift truck attachments are potentially dangerous unless the following safety criteria are strictly observed. Queries regarding the lifting capacity of your truck should be referred to the truck manufacturer.

- 1 Truck and attachment rating combination must be complied with.
- 2 Operatives' hands and feet should be kept clear of the unit when dumping.
- 3 Ropes and lanyards must not be used to operate the catch.
- 4 If remote release is required, a rigid hook should be used.
- 5 Sticking or unusual loads should be discussed with our technical department before operation.
- 6 Always use fitted safety devices.