

# BF Stainless Steel Hand Pallet Truck

- Model BF2000 SS, Capacity 2000kg
- Available in widths 540 + 680mm
- All parts are stainless steel including hydraulic pump, fork frame, handle, push rod, bearings, pins and bolts, etc.
- For use in meat and other food industries, dairy canning and areas where corrosive acids and saline solutions are used
- Fully sealed hydraulic coated pump
- Pressure relief valve/overload valve
- Three position handle-Lift-Neutral-Lower
- Tandem Nylon load rollers & steering wheels

## BF2000 SS



*Conforms to EN 1757-2*

Model		BF2000 SS	
Capacity	Kg	2000	
Fork Length (L1)	mm	1000/1100/1150/1220	
Fork Spread (W)	mm	540	685
Fork Spacing (W1)	mm	220	365
Overall Length (L)	mm	1390/1490/1540/1610	
Fork Height (h – min)	mm	85	
Fork Height (h – max)	mm	200	
Load Rollers Tandem	mm	Ø 80x70 Nylon	
Steer Wheels	mm	Ø 200x50 Nylon	

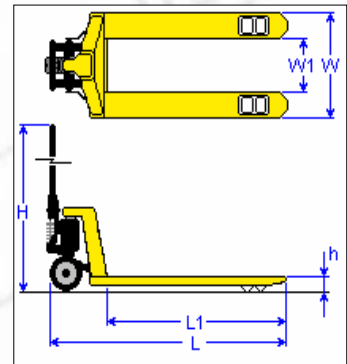
Options



Different wheel types to suit the needs of the user



BF2000 SS is available with different fork lengths



Tel: 01525 717174  
Fax: 01525 717140

info@hesales.co.uk  
www.hesales.co.uk

