

### BF Hand Pallet Truck

#### BF2500

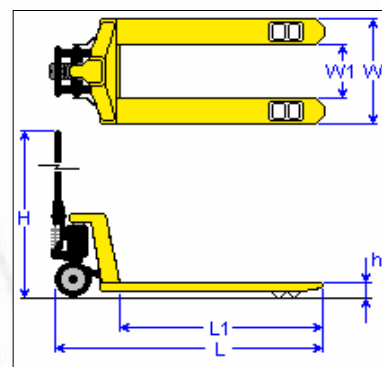
- Model BF2500 , Capacity 2500kg
- Available in widths 450, 540 & 685 mm.
- A range of 3 widths, as well as lengths from 600 to 1220 mm means that there should always be a truck to suit your needs.
- The extremely reliable pump unit is fitted with a pressure relief valve to prevent overloading.
- 3-Position trigger; Lift, Lower + Neutral.
- Comfortable rubber gripped handle.
- The robust chassis is reinforced at the 'A' frame and the legs are strengthened along their length. To reduce maintenance needs, all pivot points are bushed.
- With safety in mind, all machines can be fitted with 3 different braking systems.
- Trucks carry CE mark and comply with all current safety legislation.

# BF2500



Model		BF25 600/ 450	BF25 1000/ 450	BF25 1000 / 540	BF25 1150 / 540	BF25 1000/ 685	BF25 1150/ 685	BF25 1220/ 685
Capacity	Kg	2500						
Fork Length (L1)	mm	600	1000	1000	1150	1000	1150	1220
Fork Spread (W)	mm	450	450	540	540	685	685	685
Fork Spacing (W1)	mm	130	130	220	220	365	365	365
Overall Length (L)	mm	1000	1400	1400	1550	1400	1550	1620
Fork Height (h – min)	mm	85						
Fork Height (h – max)	mm	200						
Load Rollers	mm	Ø 85 Single Nylon			Ø 85 Tandem Nylon			
Steer Wheels	mm	Ø 200 Nylon (Parking brake trucks only in Rubber on aluminium)						

*Tandem load rollers are fitted as standard on 540 and 685 w models. All trucks can be supplied with single rollers on request*



Options



Alternative Steer Wheels



Alternative Load Rollers



Parking Brake Handle



Foot Operated Parking Brake



**Tel: 01525 717174**  
**Fax: 01525 717140**

**info@hesales.co.uk**  
**www.hesales.co.uk**

