

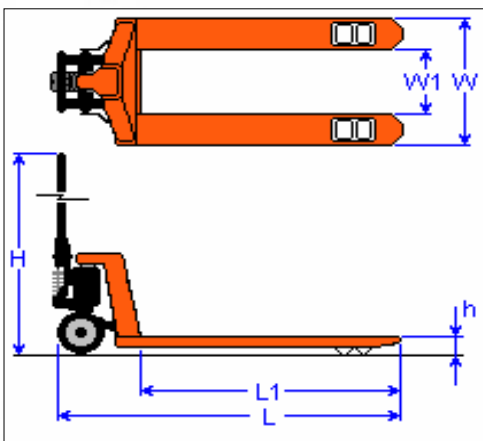
SPR15 Semi Powered Pallet Truck

- Record SPR15 semi-electric hydraulic pallet truck is a new product designed on the base of a normal hydraulic pallet truck
- One of the merits of this product is that it is motor drive without requiring manpower for pushing or pulling of the pallet truck, this matter is absolutely evident when working under hard working conditions.
- The controller is a CURTIS controller unit. The speed controller is nonpolar
- The capacity is 1500kg while other similar products only can offer a capacity of 1000kg and only offer two fixed speed options instead of nonpolar speed controlling.



With 24v/40ah Battery

Model		SPR15
Capacity To Full Height	Kg	1500
At Load Centre	mm	600
Wheels	Type	Polyurethane
Lift Height	mm	202
Closed Fork Height (h)	mm	85
Fork Length (L1)	mm	1150
Fork Width (W)	mm	540
Fork Spacing (W1)	mm	207
Overall Length (L)	mm	1560
Overall Height (H)	mm	1310
Driving Speed	Km/h	3.0/3.3
Driving Motor Power	W	400
Battery Voltage/Capacity	V/Ah	2x12/40
Wheels	Load Roller	mm
	Steer Wheel	mm
		80 x 70 (Tandem)
		220/70





H.E.S.
HANDLING EQUIPMENT SALES LTD.

Tel: 01525 717174
Fax: 01525 717140

info@hesales.co.uk
www.hesales.co.uk

