

SQR1300 Fully Powered Pallet Truck

The SQR1300 is a lighter duty, fully powered pallet truck, intended for general warehouse and similar indoor applications.

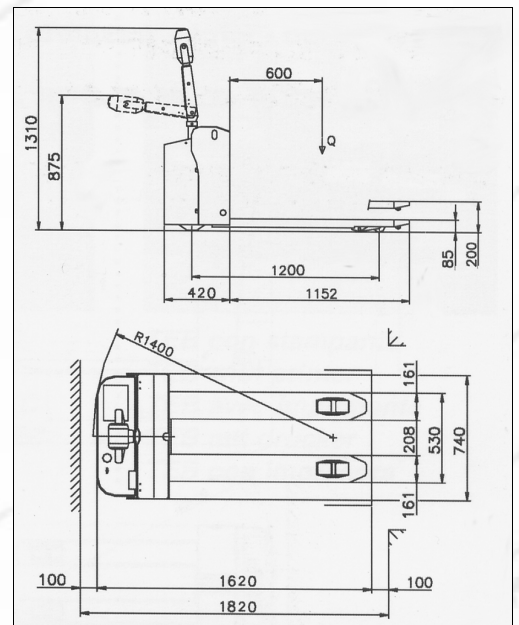
- Capacity 1300 Kg.
- Lift height 200 mm.
- Powered by 2 monobloc batteries
- External battery charger is powered from standard 13 amp supply..
- Ergonomic drive controls.
- Medium duty battery for 3 to 4 hours continuous work. Likely to give a week's worth of use from a charge with intermittent work.
- Smooth stepless drive controls with microprocessor control
- Trucks carry CE mark and comply with all current safety legislation.
- Comprehensive warranty and superb after sales service provided.

SQR1300



Other fork lengths and widths available on request.

| Model | | SQR1300 | |
|----------------------------------|-------------|-----------------------|-------------------------------|
| Capacity | Kg | 1300 | |
| At Load Centre | mm | 600 | |
| Fork Length | mm | 1200 | |
| Fork Spread | mm | 530 | |
| Fork Gap | mm | 208 | |
| Overall Length | mm | 1572 | |
| Overall Width | mm | 740 | |
| Maximum Gradient Laden / Unladen | % | 7 / 12 | |
| Wheels | Load Roller | mm | Ø 80 x 90 Polyurethane Single |
| | Rear Wheels | mm | Ø 100 x 40 Polyurethane |
| | Drive Wheel | mm | Ø 220 x 70 Polyurethane |
| Brake | | Electromagnetic | |
| Battery | V / Ah | 2 x 12 / 100 (Series) | |
| Charger | V / A | 24 / 30 | |
| Truck Weight With Battery | Kg | 275 | |



Also See



The PAR1000 is an ideal, lighter duty stacker to compliment this powered pallet truck

For higher lift capacities, see SQR1500, 2000 & 3000.