

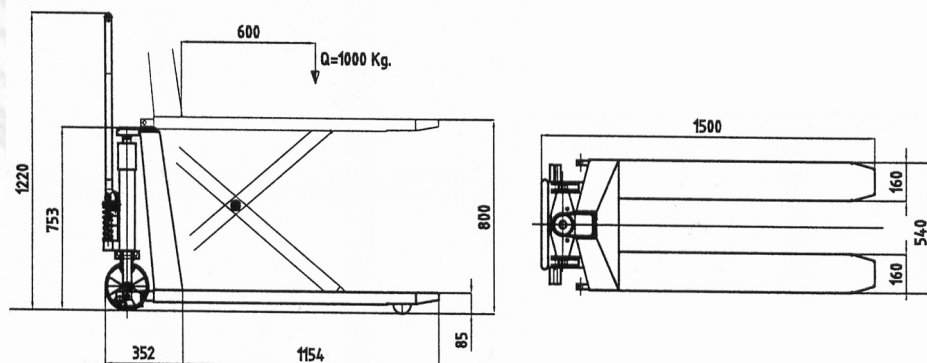
RECORD

Materials Handling Equipment

TP-X Manual Highlifter Manufactured In Stainless Steel

The TP-X highlifter is designed to lift a pallet or stillage to a comfortable working height to reduce repetitive bending and stretching. Lifting is manual hydraulic.

- Capacity 1000 Kg
- Manufactured from 100% 304 grade stainless steel, ideal for use in food, chemical and pharmaceuticals industries.
- This manual machine can be power-washed.
- Suitable for working in areas down to -30°C.
- Trucks carry CE mark and comply with all current safety legislation.



TP-X



Special Order Only

The TP-X Hand Hydraulic High-Lifter

- Capacity 1000 Kg.
- pump design—stronger and more reliable than used on many other trucks.
- Robust pump unit can be power-washed.
- Lift height 800 mm.
- Also available in other fork width 680 mm and fork lengths of up to 2000 mm.

Model	TP-X	
Capacity	Kg	1000
Fork Width	mm	540 680
Fork Length	mm	1140, 1300, 1400, 1500, 1600, 1700, 1800 + 2000
Lift Height	mm	800
Net Weight	Kg	110
Wheels	mm	175 x 50
Rollers	mm	80 x 90



H.E.S.
HANDLING EQUIPMENT SALES LTD.

 **Tel: 01525 717174**
Fax: 01525 717140

info@hesales.co.uk
www.hesales.co.uk 

Full Range Of Stainless Steel Equipment Available