

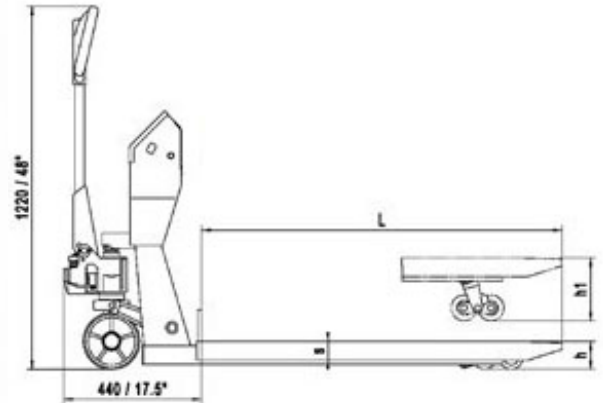
WS-ESR20 Weigh Scale Hand Pallet Truck

The **WS-ESR20** pallet truck is a high quality, hand pallet truck with an accurate & robust weigh scale built in

- **The truck has a lifting capacity of 2000 Kg and is available in a standard size to suit the most popular applications**
- **High accuracy** - Maximum error 0.1% of scale capacity, even with floor conditions that are not optimal or when load is placed out of centre. Digital reader is in increments of 1kg
- **Totalising function** - Adds up multiple pallet weights
- **High Contrast display** - can be read from any angle
- **Big function keys that 'Click'** - operator always sure if button pressed even with gloves
- **High Reliability** - all components are compact, designed for mobile use and have low power consumption. No connectors or components that can shake loose from shocks or vibrations
- **Water and dust proof to IP65** - One of the most important characteristics for a reliable mobile scale. IP65 means that the pallet truck scale can be used outside or on lorries and can be cleaned with water (normal pressure). The load cells in the forks have an even protection level
- **OPTIONAL: Thermal Printer** - Printer which is reliable in mobile applications. Use of printer does hardly influence the lifetime of the batteries. The printer is protected for use at low battery voltage levels. The printer is also resistant to vibrations and shocks
- **Special Order Options:** Fork Length - 1220mm
Fork Width - 692mm



Model		WS-ESR20
Capacity To Full Height	Kg	2000
Wheels		Polyurethane
Lift Height	mm	200
Closed Fork Height	mm	85
Fork Length	mm	1150
Fork Width	mm	182
Fork Spacing	mm	572
Overall Length	mm	1580
Wheels	Load Roller	74 x 70 (Tandem)
	Steer Wheel	180 x 50





H.E.S

HANDLING EQUIPMENT SALES LTD.



Tel: 01525 717174

Fax: 01525 717140

info@hesales.co.uk



www.hesales.co.uk