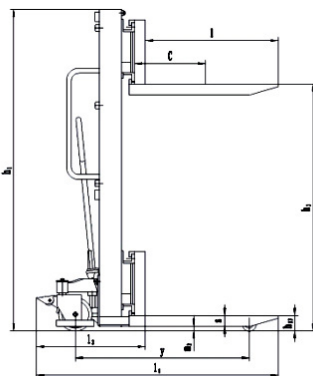
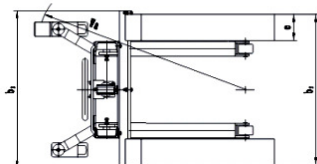


## CTM + CTMS Manual Stackers

- **Model: CTM + CTMS, Capacity 1000kg**
- **Maximum Lift Height: 1600mm, 2500mm + 3000mm**
- **The CTM + CTMS Manual Stackers are heavy duty with high quality mast construction**
- **Easy to use hydraulic lifting**
- **Light and easy manual steering**
- **Adjustable forks version available as special request**
- **Suitable for light duty stack on level floor**
- **High quality hydraulic pump assures very little noise, maximum efficiency and durability**
- **Excellent stability in operation**
- **Straddle Leg version (CTMS) ideal for closed board (EURO) pallets**
- **Conforms to CE standard EN1757-1**
- **OPTIONAL: Foot Pump, Wheel Protection, Quick Lift**
- **Electric Lifting version available (CTE + CTES)**



Model		CTM 10/16	CTM 10/30	CTMS 10/25	CTMS 10/30
Capacity	Kg	1000	1000	1000	1000
Load Centre	mm	575	575	600	600
Max. Fork Height	mm	1600	3000	2500	3000
Fork Length	mm	1150	1150	915	915
Width over Forks	mm	550	550	210~800	210~800
Overall Length	mm	1660	1668	1480	1480
Overall Width	mm	740	740	1080~1360	1080~1360
Overall Height	mm	1980	2060	1770	2020
Net Weight	Kg	172	310	360	385





**H.E.S**  
HANDLING EQUIPMENT SALES LTD.

Tel: 01525 717174  
Fax: 01525 717140

info@hesales.co.uk  
www.hesales.co.uk

