

H.E.S
HANDLING EQUIPMENT SALES LTD.

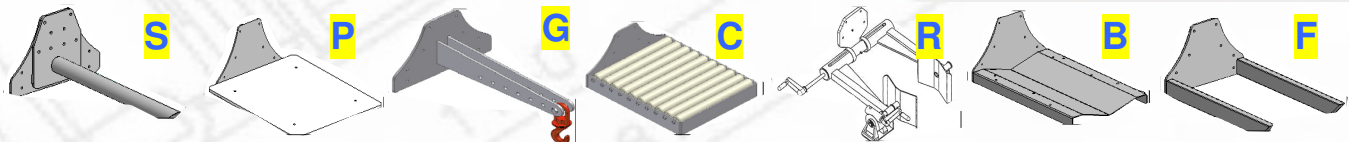
Tel. 01525 717174
Fax. 01525 717140
info@hesales.co.uk
www.hesales.co.uk

ITE-Inox - Mini Lifter

The ITE-Inox100 & ITE-Inox200 Mini-Lifters are designed for ultimate flexibility and are able to carry out a huge range of functions in production, warehousing and office environments.

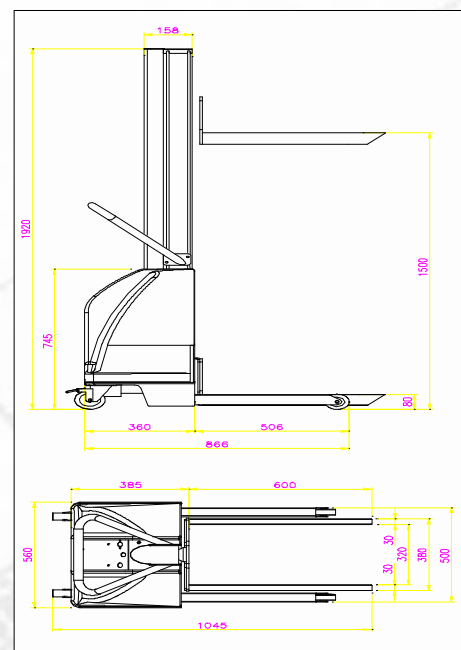
The standard truck is equipped with forks for lifting palletized loads but can be fitted with a large range of attachments.

- Capacities of 100 or 200 Kg
- Lift heights of 1500, 2000 or 2300 mm.
- Simple controls all mounted within easy reach of the operator.
- Attachments are easily and quickly changed with simple tools.
- Fully floating castors allow for operation in very tight areas.
- The built in battery charger allows the truck to be charged from any convenient 13 amp socket.
- Option of front swivel wheels



Roll & Coil Handler	Work Platform	Jib Crane Arm	Roller Bed Platform	Drum & Roll Turner	Bevelled Platform	Standard Lifting Forks
---------------------	---------------	---------------	---------------------	--------------------	-------------------	------------------------

Model		ITE100	ITE100.2	ITE100.23	ITE200	ITE200.2	ITE200.23
Capacity	Kg	100			200		
To Lift Height	mm	1500	2000	2300	1500	2000	2300
@ Load Centre	mm	300					
Closed Fork Height	mm	80					
Mast Height	mm	1920	2420	2920	1920	2420	2920
Overall Width	mm	560					
Overall Length	mm	1045					
Wheels	Load Roller	Ø80 x 30 (Polyurethane)					
	Steer Wheel	Ø 100 x 30 (Polyurethane)					
Brake		Foot Pedal On both Steer Wheels					
Lift Motor	v/Kw	24 / 0.37					
Lift Speed Unladen / Laden	cm/sec	8.3 / 6.0			8.3 / 4.2		
Truck Weight	Kg	86	115	144	106	135	164
Battery	v/Ah	2 x 12/17			2 x 12/40		
Battery Charger	V/A	24 / 6A (Built-In)					



RECORD *Materials Handling Equipment*