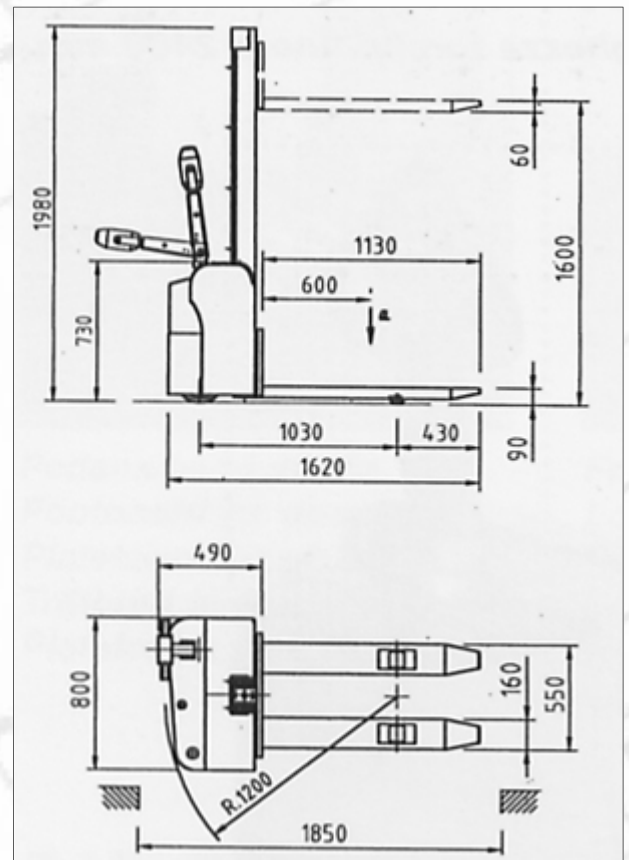


PAR1000 Light Duty Stacker

The PAR1000 is a lighter duty stacker, intended for general warehouse and similar indoor applications.

- Capacity 1000 Kg.
- Lift height 1000 mm.
- Narrow, high-visibility mast makes it easy to see in front of the truck and keeps the size and weight to a minimum.
- Built-in battery charger means that the truck can be charged from any convenient 3-pin socket.
- Ergonomic drive controls.
- Medium duty battery for 3 to 4 hours continuous work.
- Smooth stepless drive controls.
- Trucks carry CE mark and comply with all current safety legislation.
- Comprehensive warranty and superb after sales service provided.



Model		PAR1000 1600	
Capacity To Full Lift Height	Kg	1000	
At Load Centre	mm	600	
Wheels		Polyurethane	
Lift Height	mm	1600	
Closed Mast Height	mm	1980	
Open Mast Height	mm	1980	
Mast Configuration		High Visibility Simplex	
Speeds Laden/unladen	Drive Km/h	Km/h	3.5 / 5.0
	Lift cm/sec	Cm/sec	10 / 15
	Lower cm/sec	Cm/sec	12 / 9
Maximum Gradient Laden / Unladen	%	7/12	
Wheels	Load Roller	mm	80 x 90
	Rear Wheels	mm	150 x 54
	Drive Wheel	mm	220 x 70
Brake		Electromagnetic	
Battery	V / Ah	2 x 12 / 100	
Charger	V / A	24 / 20	
Truck Weight With Battery	Kg	380	