

# TSX2000 Stainless Steel Pallet Truck With Built-In Weigh Scale

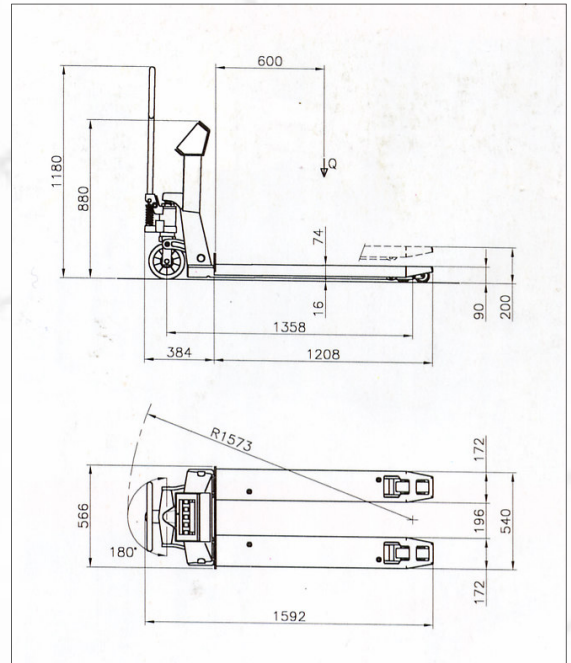
High quality, stainless steel pallet truck with built in weighing facility.

- Capacity 2000 Kg.
- Food and pharmaceuticals grade 304 stainless steel.
- 4 Load cells to ensure accurate weighing of unevenly distributed loads. An accuracy of around 0.1 Kg throughout the lifting range.
- Large 6 digit LCD display.
- Truck and display unit are IP65 rated; giving total protection against dust ingress and protection from low pressure water jets from any direction.
- Rechargeable battery and external, plug-in battery charger. Battery gives around 40 hours of operation in between charges.
- Trucks carry CE mark and comply with all current safety legislation.



### Head unit functions include.

- Tare
- Net weight
- Totals
- Item Counter
- As standard, a standby cut out is included to prolong battery life.



**Model TSB-EX** is a special version. Manufactured in painted mild steel but fitted with stainless steel fork covers.. The TSB-EX is explosion-proof EEX certified by CESI.. Making it suitable for use in petrochemical and other hazardous industries.

Model	TSX2000	
Capacity	Kg	2000
At Load Centre	mm	600
Wheels		Nylon
Lift Height	mm	200
Closed Fork Height	mm	90
Fork Length	mm	1208
Fork Width	mm	540      685